



®

40LM - PRODUCT DATA DIGEST

CHILLED WATER FAN-COIL UNITS



QUALITY SYSTEM



MALAYSIA
MS ISO 9001
REG. NO: AR 0239

Any room, every room flexibility in an air conditioning system

FEATURES:

- Chilled Water Furred-in model with Plenum Fan Coil units.
- The low silhouette styling of this unit makes it a popular choice for “in-the-ceiling” or “over the closet” applications in all types of building.
- Horizontal ducted application.
- Insulated & painted condensate drain pan and a factory fitted frame complete with filter media.
- Installed with direct driven forward curved centrifugal fans and 3 speed motor ensures quiet operation.
- Standard copper tube aluminium fins (Cu/Al) evaporator coil for maximum heat transfer.
- Carrier Lanced Sine Wave fin pattern ensures energy efficient performance.
- Units shall be manufactured as left-hand side (in the direction of air flow) piping connection as standard.

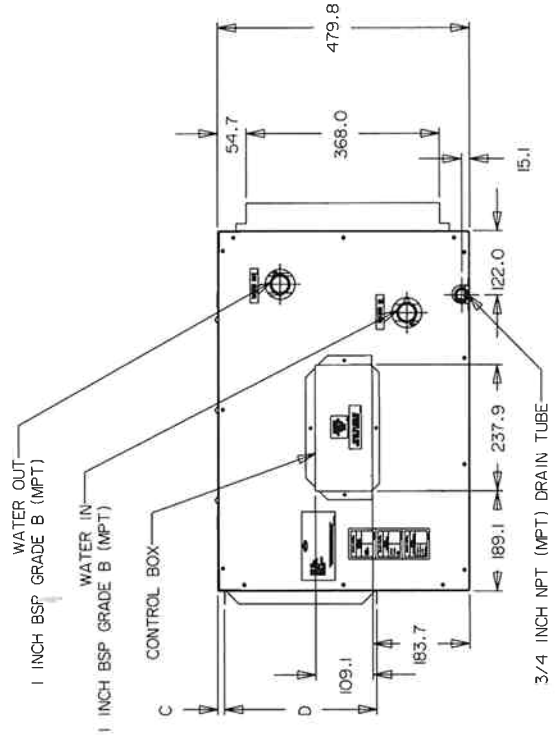
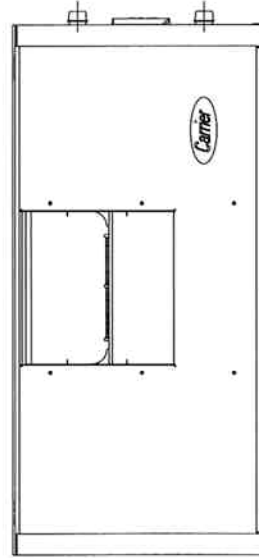
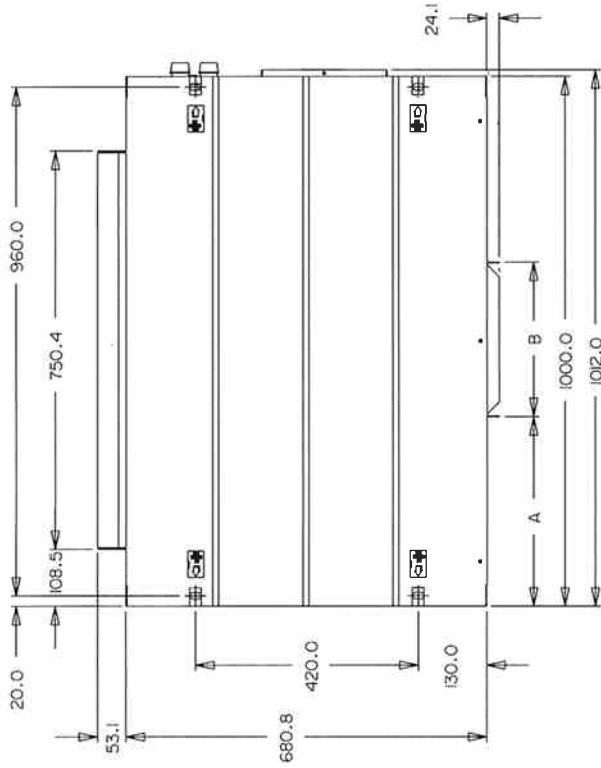
SPECIFICATIONS

| TYPE | | CHILLED WATER FAN COIL | | | | | |
|------------------|------------------|--------------------------------------|----------------|----------------|----------------|----------------|-----------------|
| MODEL | | 40LM040 | 40LM050 | 40LM060 | 40LM070 | 40LM090 | 40LM100 |
| NOMINAL CAPACITY | kW | 11.6 | 14.2 | 18.4 | 21.6 | 29.1 | 30.6 |
| | Btu/hr | 39 580 | 48 450 | 62 780 | 73 700 | 99 290 | 104 400 |
| AIR QUANTITY | Range (l/s) | 420 ~ 660 | 480 ~ 640 | 550 ~ 750 | 650 ~ 1050 | 550 ~ 1100 | 1000 ~ 1500 |
| POWER SUPPLY | V/Ph/Hz | 230/1/50 | | | | | |
| FAN | Type | CENTRIFUGAL FORWARD CURVED BLADES | | | | | |
| | Drive | DIRECT DRIVE | | | | | |
| | Quantity | 1 | | | 2 | | |
| | Max rpm | 2400 | 2400 | 2100 | 2400 | 2100 | 2100 |
| | Diameter (mm) | 225 | 225 | 271 | 225 | 271 | 271 |
| FAN MOTOR | Type | PERMANENT SPLIT CAPACITOR , 3 SPEEDS | | | | | |
| | Quantity | 1 | | | | | |
| | kW (in) | 0.57 | 0.55 | 0.82 | 0.90 | 1.43 | 1.47 |
| | FLA | 3.5 | 3.5 | 5.0 | 5.5 | 8.6 | 8.6 |
| | RPM | 1280 | 1280 | 1155 | 1375 | 1320 | 1320 |
| COIL | Type | COPPER TUBES, ALUMINIUM PLATE FINS | | | | | |
| | Row - Fins/in | 2 - 15 | 3 - 15 | 4 - 15 | 3 - 15 | 4 - 15 | 3 - 15 |
| | Face area (sq.m) | 0.343 | 0.343 | 0.343 | 0.437 | 0.437 | 0.613 |
| FILTER | Type | WASHABLE / THROWAWAY | | | | | |
| | Size (HxWxD) mm | 398 x 744 x 12 | 398 x 744 x 12 | 398 x 744 x 12 | 398 x 944 x 12 | 398 x 944 x 12 | 398 x 1344 x 12 |
| | Quantity | 1 | | | | | |
| CONNECTIONS | Supply | 1" BSP MPT | | | | | |
| | Return | 1" BSP MPT | | | | | |
| | Drain | 3/4" NPT MPT | | | | | |
| NET WEIGHT | kg | 68 | 70 | 72 | 95 | 100 | 118 |
| DIMENSIONS | Height (mm) | 480 | | | | | |
| | Width (mm) | 1000 | | | 1200 | | 1600 |
| | Depth (mm) | 680 | | | | | |

FLA: FULL LOAD AMPS

PHYSICAL DIMENSION

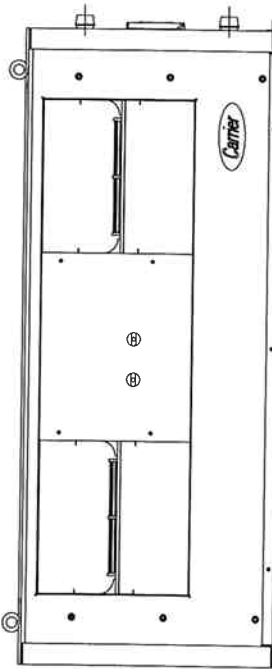
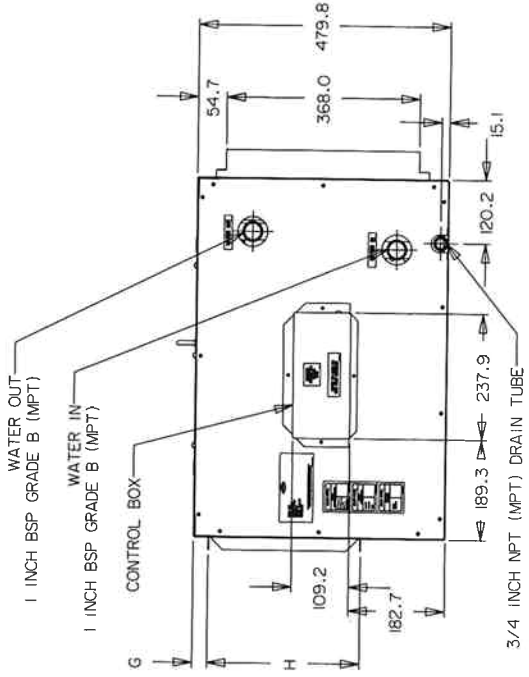
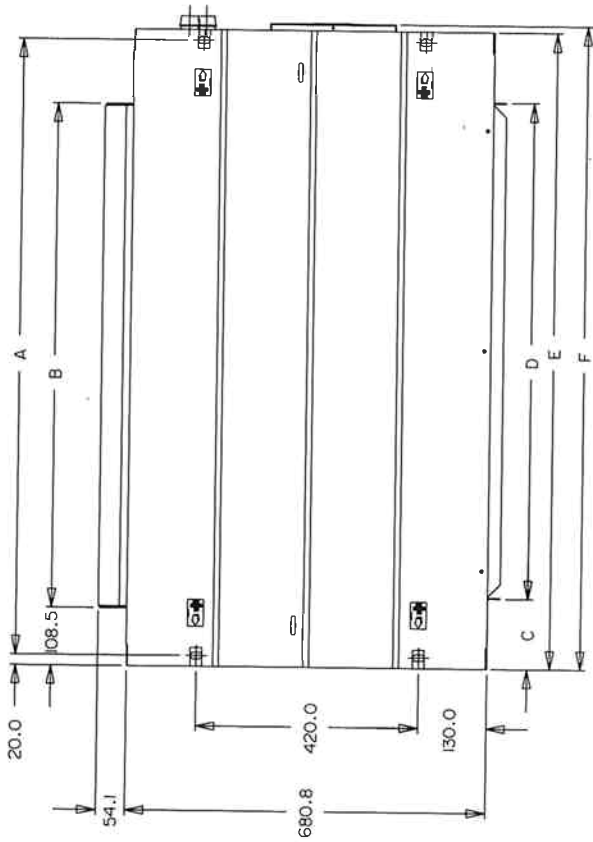
| Model Size | A | B | C | D |
|-------------|-------|-------|------|-------|
| 40LM040/050 | 357.6 | 291.2 | 12.6 | 291.2 |
| 40LM060 | 335.1 | 336.2 | 17.2 | 336.2 |



ALL DIMENSION IS IN MM

PHYSICAL DIMENSION

| Model No | A | B | C | D | E | F | G | H |
|----------|------|--------|-------|--------|------|--------|------|-------|
| 40LM070 | 1160 | 949 | 132.4 | 935.2 | 1200 | 1212 | 28.6 | 291.2 |
| 40LM090 | 1160 | 949 | 132.4 | 935.2 | 1200 | 1212 | 28.6 | 335.4 |
| 40LM100 | 1560 | 1350.4 | 287.4 | 1025.2 | 1600 | 1610.8 | 17.6 | 336.2 |



ALL DIMENSION IS IN MM

PERFORMANCE DATA COOLING CAPACITIES

MODEL: 40LM040

| AIR QUANTITY (l/s) | ENT CHILLED WATER TEMP (°C) | CHILLED WATER FLOW (L/MIN) | ENT AIR TEMP DB/WB (°C) | | | | | |
|-----------------------|-----------------------------|----------------------------|-------------------------|-----|-----------|-----|-----------|-----|
| | | | 25.0/17.0 | | 27.0/19.5 | | 29.0/22.0 | |
| | | | TC | SHC | TC | SHC | TC | SHC |
| 420 | 5 | 13 | 6.6 | 5.9 | 7.9 | 6.0 | 9.4 | 6.1 |
| | | 26 | 7.8 | 6.5 | 9.8 | 6.8 | 11.9 | 7.1 |
| | | 39 | 8.4 | 6.8 | 10.7 | 7.2 | 13.1 | 7.6 |
| | 6 | 13 | 6.2 | 5.6 | 7.4 | 5.8 | 8.9 | 5.9 |
| | | 26 | 7.3 | 6.2 | 9.2 | 6.6 | 11.3 | 6.9 |
| | | 39 | 7.8 | 6.5 | 10.0 | 6.9 | 12.4 | 7.3 |
| | 7 | 13 | 5.8 | 5.4 | 7.0 | 5.6 | 8.4 | 5.8 |
| | | 26 | 6.7 | 6.0 | 8.5 | 6.3 | 10.7 | 6.6 |
| | | 39 | 7.2 | 6.2 | 9.3 | 6.6 | 11.7 | 7.1 |
| | 8 | 13 | 5.4 | 5.2 | 6.5 | 5.4 | 7.9 | 5.6 |
| | | 26 | 6.2 | 5.7 | 7.9 | 6.1 | 10.0 | 6.4 |
| | | 39 | 6.6 | 6.0 | 8.6 | 6.4 | 11.0 | 6.7 |
| | 9 | 13 | 5.0 | 5.0 | 6.1 | 5.2 | 7.4 | 5.4 |
| | | 26 | 5.7 | 5.5 | 7.3 | 5.8 | 9.4 | 6.1 |
| | | 39 | 6.1 | 5.7 | 7.9 | 6.1 | 10.3 | 6.5 |
| 500 | 5 | 13 | 7.1 | 6.5 | 8.4 | 6.7 | 10.0 | 6.8 |
| | | 26 | 8.5 | 7.3 | 10.6 | 7.6 | 12.9 | 7.9 |
| | | 39 | 9.3 | 7.7 | 11.7 | 8.1 | 14.3 | 8.5 |
| | 6 | 13 | 6.7 | 6.3 | 8.0 | 6.5 | 9.4 | 6.6 |
| | | 26 | 8.0 | 7.1 | 9.9 | 7.4 | 12.2 | 7.6 |
| | | 39 | 8.6 | 7.4 | 10.9 | 7.8 | 13.6 | 8.2 |
| | 7 | 13 | 6.2 | 6.1 | 7.5 | 6.3 | 8.9 | 6.4 |
| | | 26 | 7.4 | 6.8 | 9.3 | 7.1 | 11.5 | 7.4 |
| | | 39 | 8.0 | 7.1 | 10.2 | 7.5 | 12.8 | 7.9 |
| | 8 | 13 | 5.9 | 5.8 | 7.0 | 6.1 | 8.4 | 6.2 |
| | | 26 | 6.9 | 6.5 | 8.6 | 6.8 | 10.8 | 7.1 |
| | | 39 | 7.4 | 6.6 | 9.5 | 7.2 | 12.0 | 7.6 |
| | 9 | 13 | 5.5 | 5.5 | 6.6 | 5.8 | 7.9 | 6.0 |
| | | 26 | 6.3 | 6.2 | 7.9 | 6.6 | 10.1 | 6.8 |
| | | 39 | 6.7 | 6.5 | 8.7 | 6.9 | 11.3 | 7.3 |
| 660 | 5 | 13 | 7.9 | 7.5 | 9.2 | 7.7 | 10.7 | 7.8 |
| | | 26 | 9.7 | 8.6 | 11.7 | 8.9 | 14.3 | 9.1 |
| | | 39 | 10.5 | 9.1 | 13.2 | 9.5 | 16.1 | 9.8 |
| | 6 | 13 | 7.4 | 7.3 | 8.7 | 7.5 | 10.2 | 7.6 |
| | | 26 | 9.0 | 8.3 | 10.9 | 8.6 | 13.5 | 8.9 |
| | | 39 | 9.8 | 8.7 | 12.3 | 9.1 | 15.2 | 9.5 |
| | 7 | 13 | 7.0 | 7.0 | 8.2 | 7.2 | 9.6 | 7.4 |
| | | 26 | 8.4 | 8.0 | 10.3 | 8.3 | 12.7 | 8.5 |
| | | 39 | 9.1 | 8.4 | 11.6 | 8.9 | 14.3 | 9.2 |
| | 8 | 13 | 6.6 | 6.6 | 7.7 | 7.0 | 9.1 | 7.2 |
| | | 26 | 7.8 | 7.6 | 9.6 | 8.0 | 12.0 | 8.3 |
| | | 39 | 8.4 | 8.0 | 10.6 | 8.5 | 13.5 | 8.8 |
| | 9 | 13 | 6.2 | 6.2 | 7.2 | 6.8 | 8.6 | 6.9 |
| | | 26 | 7.3 | 7.3 | 8.9 | 7.7 | 11.1 | 8.0 |
| | | 39 | 7.7 | 7.6 | 9.8 | 8.1 | 12.6 | 8.5 |

TC : TOTAL HEAT CAPACITY (kW)

SHC : SENSIBLE HEAT COOLING CAPACITY (kW)

PERFORMANCE DATA COOLING CAPACITIES

MODEL: 40LM050

| AIR QUANTITY (l/s) | ENT CHILLED WATER TEMP (°C) | CHILLED WATER FLOW (L/MIN) | ENT AIR TEMP DB/WB (°C) | | | | | |
|-----------------------|-----------------------------|----------------------------|-------------------------|------------------|-----------|------|-----------|------|
| | | | 25.0/17.0 | | 27.0/19.5 | | 29.0/22.0 | |
| | | | TC | SHC | TC | SHC | TC | SHC |
| 480 | 5 | 17 | 8.5 | 7.5 | 10.2 | 7.7 | 12.0 | 7.8 |
| | | 33 | 10.4 | 8.4 | 12.8 | 8.8 | 15.6 | 9.2 |
| | | 50 | 11.2 | 8.8 | 14.1 | 9.4 | 17.2 | 9.9 |
| | 6 | 17 | 8.0 | 7.2 | 9.6 | 7.4 | 11.4 | 7.6 |
| | | 33 | 9.6 | 8.1 | 12.0 | 8.5 | 14.8 | 8.8 |
| | | 50 | 10.4 | 8.4 | 13.2 | 8.9 | 16.3 | 9.5 |
| | 7 | 17 | 7.5 | 7.0 | 8.9 | 7.2 | 10.8 | 7.3 |
| | | 33 | 8.9 | 7.7 | 11.3 | 8.2 | 13.9 | 8.5 |
| | | 50 | 9.6 | 8.1 | 12.3 | 8.6 | 15.4 | 9.1 |
| | 8 | 17 | 7.0 | 6.7 | 8.4 | 6.9 | 10.2 | 7.1 |
| | | 33 | 8.2 | 7.4 | 10.4 | 7.8 | 13.1 | 8.2 |
| | | 50 | 8.8 | 7.7 | 11.4 | 8.2 | 14.4 | 8.8 |
| | 9 | 17 | 6.5 | 6.4 | 7.8 | 6.7 | 9.6 | 6.8 |
| | | 33 | 7.6 | 7.1 | 9.7 | 7.6 | 12.2 | 7.9 |
| | | 50 | 8.0 | 7.4 ^W | 10.5 | 7.9 | 13.6 | 8.4 |
| 520 | 5 | 17 | 8.8 | 7.9 | 10.5 | 8.0 | 12.3 | 8.1 |
| | | 33 | 10.8 | 8.9 | 13.3 | 9.3 | 16.2 | 9.6 |
| | | 50 | 11.7 | 9.3 | 14.7 | 9.9 | 18.1 | 10.4 |
| | 6 | 17 | 8.3 | 7.6 | 9.8 | 7.8 | 11.7 | 7.9 |
| | | 33 | 10.0 | 8.5 | 12.5 | 8.9 | 15.3 | 9.3 |
| | | 50 | 10.9 | 8.9 | 13.8 | 9.5 | 17.0 | 10.0 |
| | 7 | 17 | 7.7 | 7.3 | 9.2 | 7.5 | 11.1 | 7.7 |
| | | 33 | 9.3 | 8.2 | 11.7 | 8.6 | 14.4 | 8.9 |
| | | 50 | 10.0 | 8.5 | 12.8 | 9.1 | 16.1 | 9.6 |
| | 8 | 17 | 7.2 | 7.0 | 8.7 | 7.3 | 10.4 | 7.4 |
| | | 33 | 8.6 | 7.9 | 10.9 | 8.3 | 13.6 | 8.6 |
| | | 50 | 9.2 | 8.2 | 11.9 | 8.7 | 15.1 | 9.2 |
| | 9 | 17 | 6.7 | 6.7 | 8.1 | 7.0 | 9.8 | 7.2 |
| | | 33 | 7.9 | 7.5 | 10.0 | 7.9 | 12.7 | 8.7 |
| | | 50 | 8.4 | 7.8 | 10.9 | 8.3 | 14.1 | 8.8 |
| 640 | 5 | 17 | 9.6 | 8.8 | 11.2 | 9.0 | 13.1 | 9.1 |
| | | 33 | 11.9 | 10.1 | 14.5 | 10.5 | 17.5 | 10.9 |
| | | 50 | 13.0 | 10.7 | 16.2 | 11.2 | 19.8 | 11.7 |
| | 6 | 17 | 9.0 | 8.5 | 10.6 | 8.8 | 12.5 | 8.9 |
| | | 33 | 11.1 | 9.8 | 13.6 | 10.2 | 16.6 | 10.5 |
| | | 50 | 12.1 | 10.3 | 15.2 | 10.8 | 18.8 | 11.3 |
| | 7 | 17 | 8.5 | 8.2 | 9.9 | 8.5 | 11.8 | 8.6 |
| | | 33 | 10.3 | 9.4 | 12.8 | 9.8 | 15.6 | 10.1 |
| | | 50 | 11.2 | 9.9 | 14.2 | 10.4 | 17.7 | 10.9 |
| | 8 | 17 | 7.9 | 7.9 | 9.4 | 8.2 | 11.1 | 8.3 |
| | | 33 | 9.6 | 9.0 | 11.9 | 9.4 | 14.7 | 9.8 |
| | | 50 | 10.3 | 9.4 | 13.2 | 9.9 | 16.6 | 10.5 |
| | 9 | 17 | 7.5 | 7.5 | 8.8 | 7.9 | 10.5 | 8.1 |
| | | 33 | 8.9 | 8.6 | 11.0 | 9.1 | 13.7 | 9.4 |
| | | 50 | 9.5 | 9.0 | 12.2 | 9.6 | 15.5 | 10.0 |

TC : TOTAL HEAT CAPACITY (kW)

SHC : SENSIBLE HEAT COOLING CAPACITY (kW)

PERFORMANCE DATA COOLING CAPACITIES

MODEL: 40LM060

| AIR QUANTITY (l/s) | ENT CHILLED WATER TEMP (°C) | CHILLED WATER FLOW (L/MIN) | ENT AIR TEMP DB/WB (°C) | | | | | | |
|-----------------------|-----------------------------|----------------------------|-------------------------|------|-----------|------|-----------|------|------|
| | | | 25.0/17.0 | | 27.0/19.5 | | 29.0/22.0 | | |
| | | | TC | SHC | TC | SHC | TC | SHC | |
| 550 | 5 | 22 | 11.0 | 9.3 | 13.2 | 9.6 | 15.7 | 9.8 | |
| | | 44 | 13.1 | 10.3 | 16.3 | 10.9 | 20.0 | 11.5 | |
| | | 66 | 14.0 | 10.8 | 17.7 | 11.5 | 21.7 | 12.3 | |
| | 6 | 22 | 10.3 | 8.9 | 12.4 | 9.3 | 14.9 | 9.5 | |
| | | 44 | 12.2 | 9.9 | 15.3 | 10.5 | 18.9 | 11.1 | |
| | | 66 | 13.0 | 10.3 | 16.6 | 11.0 | 20.6 | 11.8 | |
| | 7 | 22 | 9.6 | 8.7 | 11.6 | 8.9 | 14.1 | 9.2 | |
| | | 44 | 11.2 | 9.5 | 14.3 | 10.0 | 17.8 | 10.6 | |
| | | 66 | 12.0 | 9.9 | 15.5 | 10.6 | 19.5 | 11.3 | |
| | 8 | 22 | 8.9 | 8.3 | 10.9 | 8.6 | 13.3 | 8.9 | |
| | | 44 | 10.3 | 9.1 | 13.3 | 9.6 | 16.8 | 10.2 | |
| | | 66 | 11.0 | 9.4 | 14.4 | 10.1 | 18.4 | 10.8 | |
| | 9 | 22 | 8.3 | 8.0 | 10.1 | 8.3 | 12.5 | 8.5 | |
| | | 44 | 9.5 | 8.7 | 12.3 | 9.2 | 15.7 | 9.8 | |
| | | 66 | 10.0 | 9.0 | 13.3 | 9.6 | 17.2 | 10.4 | |
| | 600 | 5 | 22 | 11.4 | 9.8 | 13.6 | 10.1 | 16.2 | 10.3 |
| | | | 44 | 13.7 | 11.0 | 17.0 | 11.6 | 20.8 | 12.1 |
| | | | 66 | 14.8 | 11.5 | 18.6 | 12.3 | 22.8 | 13.0 |
| 6 | | 22 | 10.7 | 9.5 | 12.8 | 9.8 | 15.4 | 10.0 | |
| | | 44 | 12.8 | 10.5 | 15.9 | 11.0 | 19.7 | 11.7 | |
| | | 66 | 13.5 | 10.8 | 17.5 | 11.7 | 21.7 | 12.5 | |
| 7 | | 22 | 10.0 | 9.2 | 12.0 | 9.4 | 14.5 | 9.6 | |
| | | 44 | 11.8 | 10.1 | 14.9 | 10.7 | 18.6 | 11.2 | |
| | | 66 | 12.7 | 10.5 | 16.3 | 11.2 | 20.5 | 11.9 | |
| 8 | | 22 | 9.3 | 8.8 | 11.3 | 9.2 | 13.7 | 9.3 | |
| | | 44 | 10.9 | 9.7 | 13.9 | 10.2 | 17.5 | 10.8 | |
| | | 66 | 11.6 | 10.0 | 15.2 | 10.8 | 19.3 | 11.5 | |
| 9 | | 22 | 8.6 | 8.4 | 10.5 | 8.8 | 12.8 | 9.0 | |
| | | 44 | 10.0 | 9.3 | 12.9 | 9.8 | 16.3 | 10.3 | |
| | | 66 | 10.6 | 9.6 | 14.0 | 10.3 | 18.0 | 11.0 | |
| 750 | | 5 | 22 | 12.5 | 11.4 | 14.8 | 11.6 | 17.4 | 11.7 |
| | | | 44 | 15.4 | 12.8 | 18.9 | 13.4 | 23.0 | 13.9 |
| | | | 66 | 16.9 | 13.5 | 21.0 | 14.3 | 25.7 | 15.0 |
| | 6 | 22 | 11.8 | 11.0 | 14.0 | 11.2 | 16.6 | 11.4 | |
| | | 44 | 14.3 | 12.4 | 17.8 | 12.9 | 21.8 | 13.4 | |
| | | 66 | 15.7 | 13.0 | 19.7 | 13.7 | 24.4 | 14.4 | |
| | 7 | 22 | 11.1 | 10.6 | 13.2 | 10.9 | 15.7 | 11.0 | |
| | | 44 | 13.3 | 11.9 | 16.7 | 12.4 | 20.5 | 12.9 | |
| | | 66 | 14.4 | 12.4 | 18.4 | 13.1 | 23.0 | 13.9 | |
| | 8 | 22 | 10.4 | 10.2 | 12.4 | 10.5 | 14.7 | 10.7 | |
| | | 44 | 12.3 | 11.4 | 15.5 | 11.9 | 19.2 | 12.4 | |
| | | 66 | 13.3 | 11.9 | 17.1 | 12.6 | 21.6 | 13.3 | |
| | 9 | 22 | 9.7 | 9.7 | 11.5 | 10.2 | 13.8 | 10.4 | |
| | | 44 | 11.4 | 10.9 | 14.4 | 11.5 | 18.0 | 12.0 | |
| | | 66 | 12.2 | 11.4 | 15.8 | 12.1 | 20.2 | 12.8 | |

TC : TOTAL HEAT CAPACITY (kW)

SHC : SENSIBLE HEAT COOLING CAPACITY (kW)

PERFORMANCE DATA COOLING CAPACITIES

MODEL: 40LM070

| AIR QUANTITY (l/s) | ENT CHILLED WATER TEMP (°C) | CHILLED WATER FLOW (L/MIN) | ENT AIR TEMP DB/WB (°C) | | | | | |
|-----------------------|-----------------------------|----------------------------|-------------------------|------|-----------|------|-----------|------|
| | | | 25.0/17.0 | | 27.0/19.5 | | 29.0/22.0 | |
| | | | TC | SHC | TC | SHC | TC | SHC |
| 650 | 5 | 26 | 12.1 | 10.4 | 14.7 | 10.7 | 17.6 | 11.0 |
| | | 52 | 14.3 | 11.5 | 17.9 | 12.1 | 22.0 | 12.7 |
| | | 78 | 15.3 | 11.9 | 19.4 | 12.7 | 23.7 | 13.4 |
| | 6 | 26 | 11.4 | 10.0 | 13.9 | 10.3 | 16.6 | 10.6 |
| | | 52 | 13.4 | 10.9 | 16.8 | 11.6 | 20.8 | 12.3 |
| | | 78 | 14.2 | 11.4 | 18.2 | 12.2 | 22.5 | 13.0 |
| | 7 | 26 | 10.6 | 9.6 | 13.0 | 10.0 | 15.7 | 10.3 |
| | | 52 | 12.3 | 10.5 | 15.7 | 11.2 | 19.6 | 11.7 |
| | | 78 | 13.7 | 11.4 | 17.0 | 11.7 | 21.3 | 12.4 |
| | 8 | 26 | 9.9 | 9.2 | 12.1 | 9.6 | 14.8 | 9.9 |
| | | 52 | 11.3 | 10.1 | 14.6 | 10.7 | 18.5 | 11.3 |
| | | 78 | 12.0 | 10.4 | 15.7 | 11.2 | 20.0 | 11.9 |
| | 9 | 26 | 9.1 | 8.8 | 11.2 | 9.3 | 13.9 | 9.6 |
| | | 52 | 10.3 | 9.6 | 13.4 | 10.2 | 17.3 | 10.8 |
| | | 78 | 10.9 | 9.9 | 14.6 | 10.7 | 18.8 | 11.4 |
| 800 | 5 | 26 | 13.4 | 11.9 | 16.1 | 12.2 | 19.1 | 12.5 |
| | | 52 | 16.1 | 13.3 | 20.0 | 13.9 | 24.3 | 14.5 |
| | | 78 | 17.3 | 13.9 | 21.8 | 14.7 | 26.7 | 15.5 |
| | 6 | 26 | 12.6 | 11.5 | 15.2 | 11.8 | 18.1 | 12.1 |
| | | 52 | 15.0 | 12.8 | 18.7 | 13.4 | 23.0 | 13.9 |
| | | 78 | 16.1 | 13.3 | 20.5 | 14.2 | 25.3 | 14.9 |
| | 7 | 26 | 11.8 | 11.0 | 14.2 | 11.4 | 17.1 | 11.7 |
| | | 52 | 13.9 | 12.2 | 17.4 | 12.9 | 21.7 | 13.5 |
| | | 78 | 14.9 | 12.7 | 19.1 | 13.6 | 23.9 | 14.3 |
| | 8 | 26 | 11.0 | 10.6 | 13.2 | 11.0 | 16.0 | 11.3 |
| | | 52 | 12.8 | 11.7 | 16.2 | 12.4 | 20.4 | 13.0 |
| | | 78 | 13.6 | 12.2 | 17.7 | 13.0 | 22.5 | 13.8 |
| | 9 | 26 | 10.2 | 10.1 | 12.3 | 10.6 | 15.0 | 10.9 |
| | | 52 | 11.8 | 11.2 | 15.0 | 11.9 | 19.0 | 12.5 |
| | | 78 | 12.2 | 11.6 | 16.3 | 12.4 | 21.0 | 13.2 |
| 1050 | 5 | 26 | 15.0 | 13.9 | 17.5 | 14.2 | 20.6 | 14.3 |
| | | 52 | 18.3 | 15.8 | 22.3 | 16.3 | 27.0 | 16.9 |
| | | 78 | 20.0 | 19.6 | 24.8 | 17.4 | 30.3 | 18.1 |
| | 6 | 26 | 14.1 | 13.4 | 16.5 | 13.8 | 19.5 | 13.9 |
| | | 52 | 17.0 | 15.2 | 20.9 | 15.8 | 25.5 | 16.3 |
| | | 78 | 18.5 | 15.9 | 23.2 | 16.7 | 28.7 | 17.5 |
| | 7 | 26 | 13.2 | 12.9 | 14.6 | 13.3 | 18.5 | 13.5 |
| | | 52 | 15.9 | 14.6 | 19.6 | 15.2 | 24.1 | 15.7 |
| | | 78 | 17.1 | 15.3 | 21.6 | 16.1 | 27.0 | 16.8 |
| | 8 | 26 | 12.4 | 12.3 | 14.7 | 12.9 | 17.4 | 13.1 |
| | | 52 | 14.7 | 13.9 | 18.3 | 14.6 | 22.6 | 15.2 |
| | | 78 | 15.7 | 14.6 | 20.1 | 15.5 | 25.4 | 16.2 |
| | 9 | 26 | 11.6 | 11.6 | 13.7 | 12.4 | 16.3 | 12.7 |
| | | 52 | 13.6 | 13.3 | 16.9 | 14.1 | 21.1 | 14.6 |
| | | 78 | 14.5 | 13.9 | 18.6 | 14.8 | 23.7 | 15.6 |

TC : TOTAL HEAT CAPACITY (kW)

SHC : SENSIBLE HEAT COOLING CAPACITY (kW)

PERFORMANCE DATA COOLING CAPACITIES

MODEL: 40LM090

| AIR QUANTITY (l/s) | ENT CHILLED WATER TEMP (°C) | CHILLED WATER FLOW (L/MIN) | ENT AIR TEMP DB/WB (°C) | | | | | |
|-----------------------|-----------------------------|----------------------------|-------------------------|------|-----------|------|-----------|------|
| | | | 25.0/17.0 | | 27.0/19.5 | | 29.0/22.0 | |
| | | | TC | SHC | TC | SHC | TC | SHC |
| 550 | 5 | 31 | 13.5 | 10.6 | 16.7 | 11.2 | 20.4 | 11.7 |
| | | 63 | 15.3 | 11.4 | 19.3 | 12.3 | 23.7 | 13.2 |
| | | 94 | 15.9 | 11.7 | 20.2 | 12.7 | 24.8 | 13.7 |
| | 6 | 31 | 12.6 | 10.2 | 15.6 | 10.6 | 19.3 | 11.3 |
| | | 63 | 14.1 | 10.9 | 18.1 | 11.8 | 22.5 | 12.6 |
| | | 94 | 14.7 | 11.2 | 18.9 | 12.1 | 23.6 | 13.1 |
| | 7 | 31 | 11.6 | 9.7 | 14.7 | 10.3 | 18.2 | 10.8 |
| | | 63 | 13.0 | 10.4 | 16.9 | 11.2 | 21.3 | 12.1 |
| | | 94 | 13.6 | 10.6 | 17.8 | 11.6 | 22.4 | 12.5 |
| | 8 | 31 | 10.7 | 9.3 | 13.7 | 9.8 | 17.1 | 10.4 |
| | | 63 | 11.9 | 9.9 | 15.8 | 10.7 | 20.1 | 11.6 |
| | | 94 | 12.4 | 10.1 | 16.5 | 11.0 | 21.1 | 12.0 |
| | 9 | 31 | 9.8 | 8.9 | 12.7 | 9.4 | 16.0 | 9.9 |
| | | 63 | 10.8 | 9.4 | 14.5 | 10.2 | 18.8 | 11.0 |
| | | 94 | 11.2 | 9.5 | 15.3 | 10.5 | 19.9 | 11.4 |
| 750 | 5 | 31 | 15.9 | 13.1 | 19.4 | 13.6 | 23.3 | 14.1 |
| | | 63 | 18.6 | 14.4 | 23.3 | 15.4 | 28.6 | 16.2 |
| | | 94 | 19.7 | 14.9 | 24.9 | 16.0 | 30.6 | 17.1 |
| | 6 | 31 | 14.9 | 12.6 | 18.3 | 13.1 | 22.0 | 13.6 |
| | | 63 | 17.3 | 13.8 | 21.9 | 14.7 | 27.1 | 15.6 |
| | | 94 | 18.2 | 14.2 | 23.4 | 15.4 | 29.0 | 16.4 |
| | 7 | 31 | 13.8 | 12.2 | 17.1 | 12.6 | 20.8 | 13.1 |
| | | 63 | 15.9 | 13.2 | 20.4 | 14.1 | 25.6 | 15.0 |
| | | 94 | 16.8 | 13.6 | 21.9 | 14.7 | 27.5 | 15.7 |
| | 8 | 31 | 12.8 | 11.7 | 15.9 | 12.2 | 19.5 | 12.6 |
| | | 63 | 14.6 | 12.6 | 19.0 | 13.5 | 24.1 | 14.4 |
| | | 94 | 15.4 | 12.9 | 20.3 | 14.0 | 25.8 | 15.1 |
| | 9 | 31 | 11.8 | 11.2 | 14.8 | 11.7 | 18.4 | 12.2 |
| | | 63 | 13.3 | 12.0 | 17.5 | 12.8 | 22.6 | 13.7 |
| | | 94 | 13.9 | 12.3 | 18.7 | 13.3 | 24.2 | 14.4 |
| 1100 | 5 | 31 | 19.0 | 16.8 | 22.5 | 17.2 | 26.5 | 17.4 |
| | | 63 | 22.9 | 18.8 | 28.2 | 19.7 | 34.5 | 20.5 |
| | | 94 | 24.7 | 19.7 | 31.0 | 20.9 | 37.9 | 21.9 |
| | 6 | 31 | 17.8 | 16.2 | 21.2 | 16.6 | 25.2 | 16.9 |
| | | 63 | 21.3 | 18.1 | 26.5 | 18.9 | 32.6 | 19.8 |
| | | 94 | 22.9 | 18.9 | 29.1 | 20.0 | 35.9 | 21.1 |
| | 7 | 31 | 16.7 | 15.6 | 19.9 | 16.1 | 23.8 | 16.4 |
| | | 63 | 19.8 | 17.4 | 24.8 | 18.2 | 30.8 | 19.1 |
| | | 94 | 21.2 | 18.1 | 29.1 | 20.0 | 33.9 | 20.3 |
| | 8 | 31 | 15.6 | 15.0 | 18.7 | 15.5 | 22.4 | 15.8 |
| | | 63 | 18.2 | 16.6 | 23.1 | 17.5 | 28.9 | 18.3 |
| | | 94 | 19.4 | 17.3 | 25.1 | 18.4 | 31.8 | 19.4 |
| | 9 | 31 | 14.5 | 14.4 | 17.4 | 15.0 | 21.0 | 15.3 |
| | | 63 | 16.7 | 15.9 | 21.4 | 16.8 | 26.9 | 17.6 |
| | | 94 | 17.8 | 16.5 | 23.2 | 17.6 | 29.8 | 18.7 |

TC : TOTAL HEAT CAPACITY (kW)

SHC : SENSIBLE HEAT COOLING CAPACITY (kW)